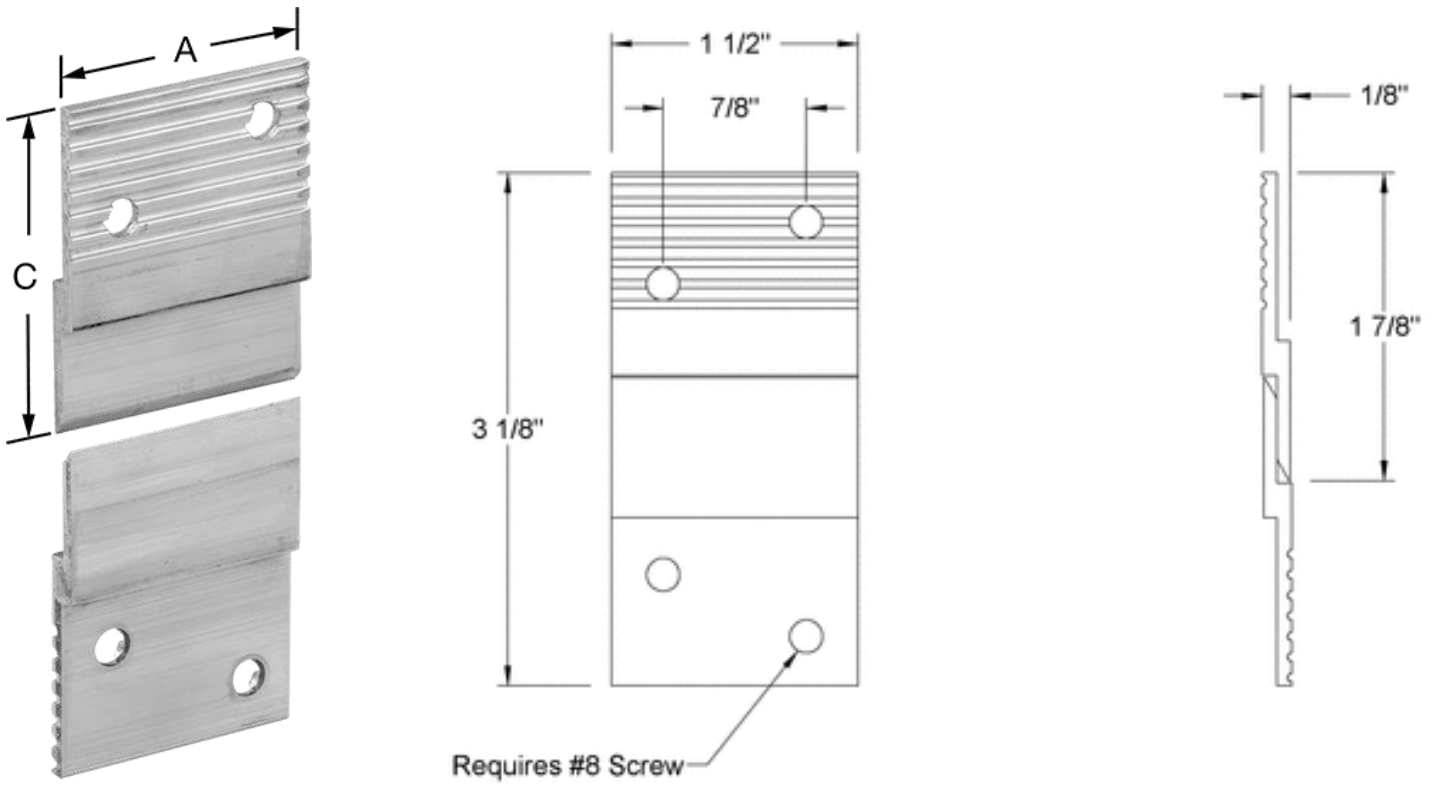


# ALUMINUM Z CLEATS

Hang your glassless mirrors on the wall without visible brackets.



One Set of Z cleats will be attached to the mirror



Mount a pair on the wall and slide the mirror down the wall until the cleats engage. Interlock brackets to secure panels flush to flat surfaces.

